

The drawing is intellectual possession of Aska Corporation.  
 Copying, duplicating, reprinting or distributing in whole or in part of the drawing data is prohibited unless prior permission obtained from Aska Corporation.

Specification & Dimension are subject to modify by Aska without notice.  
 Please contact us for updated information.

"D2" & "H2" are standard dimension and available to customize on request.

SIZE (A)		OUTLET JIS 10K-RF FLANGE								INLET JIS 10K-RF FLANGE								L		LIFT		H		H1		H2		H3		Rc	Q'TY	TAG No
OUT	IN	d	D	C	N	h	t	f	g	d1	D1	C1	N1	h1	t1	f1	g1	D2	L	LIFT	H	H1	H2	H3	Rc	Q'TY	TAG No					
20	25	20	100	75	4	15	14	1	56	25	125	90	4	19	14	1	67	36	120	30	420	30	20	35	1/4							
25	40	25	125	90	4	19	14	1	67	30	140	105	4	19	16	2	81	48	140	30	420	36	25	40	1/4							
40	50	40	140	105	4	19	16	2	81	45	155	120	4	19	16	2	96	69	155	30	475	38	25	40	1/4							
50	80	50	155	120	4	19	16	2	96	55	185	150	8	19	18	2	126	71	170	37	510	55	30	45	1/4							
80	100	80	185	150	8	19	18	2	126	85	210	175	8	19	18	2	151	105	200	42	590	59	35	55	1/4							
100	125	100	210	175	8	19	18	2	151	110	250	210	8	23	20	2	182	132	240	45	650	80	35	60	1/4							
125	150	125	250	210	8	23	20	2	182	140	280	240	8	23	22	2	212	170	256	45	700	82	35	60	1/4							
150	200	150	280	240	8	23	22	2	212	160	330	290	12	23	22	2	262	204	300	55	800	82	35	70	1/4							

No	NAME	MATERIAL	QTY	REMARKS
140	LIMIT SWITCH	1LX5001	2	
100	CYLINDER	STKM13A+SS400	1	
89	S. WASHER	SWRH57	2	
86b	HE'X NUT	S45C	4	
86a	GLAND NUT	SUS304	2	
82	GLAND BOLT	SUS304	2	
80b	HE'X BOLT	SS400	2	
80a	HE'X BOLT	SCM435	4	
49	BRACKET	SS400	1	
28	INDICATOR	SS400	1	
27	STEM LOCK	SS400	1	
18	YOKE	SS400	1	or FC200
17	GLAND PLATE	SUS304	1	
16	GLAND	SUS304	1	
11	PACKING	T/#9034+PTFEG20	1 <sup>5</sup>	
9	SWIVEL NUT	SUS304	1	
7	STEM	SUS304	1	
3	VALVE DISC	SUS304	1	
1	BODY	SCS13	1	

HARD FACING OF SURFACE	DISC SEAT	STELLITE #6
	BODY SEAT	STELLITE #6

HYDROSTATIC TEST	CYLINDER	AIR 1.0	MPa (g)
	SEAT	0.7	
	BODY	1.0	

DATE	09.05.13	CHIEF	SCS13
CH.		DWN.	A. K
SCALE		3rd ANGLE PROJECTION	

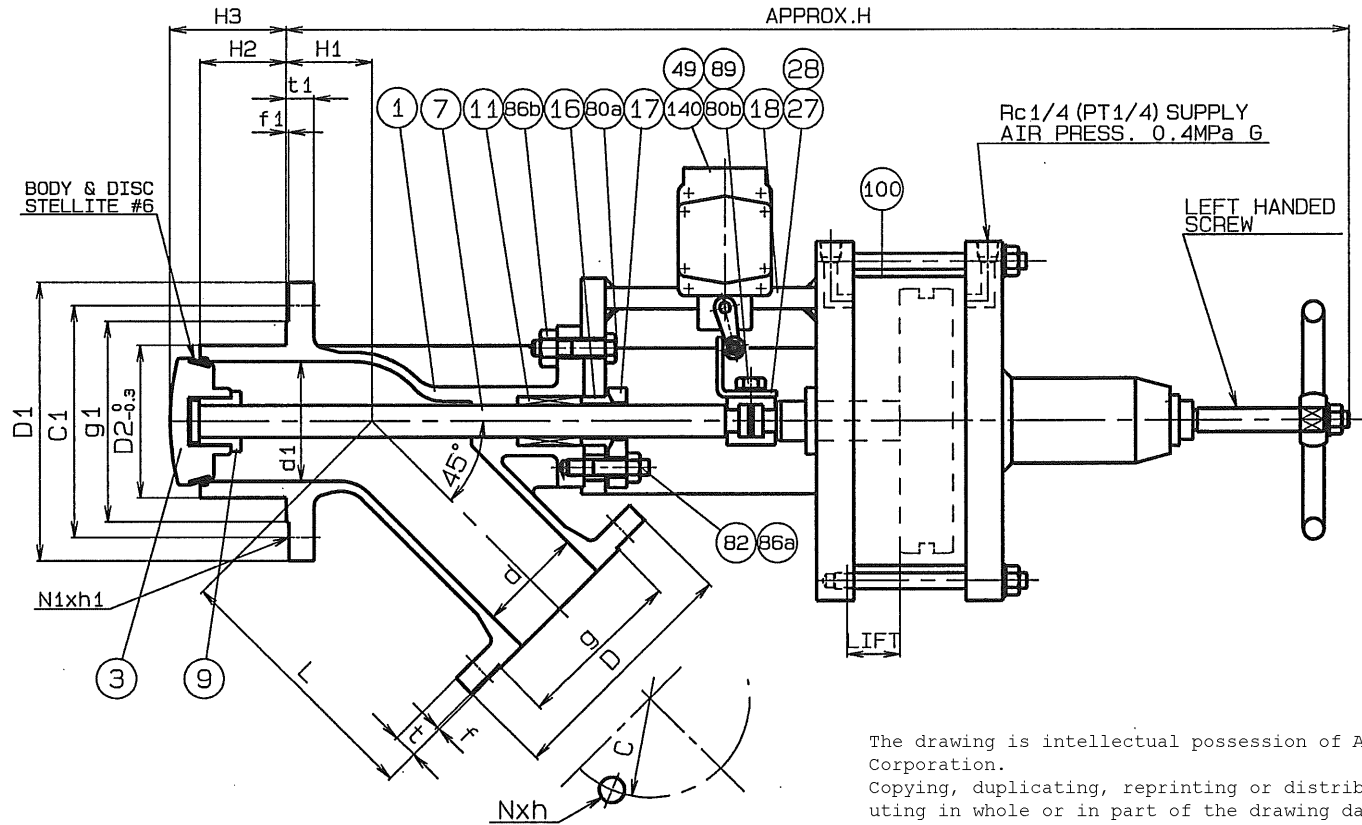
DATE	09.05.13	CHIEF	SCS13
CH.		DWN.	A. K
SCALE		3rd ANGLE PROJECTION	

DATE	09.05.13	CHIEF	SCS13
CH.		DWN.	A. K
SCALE		3rd ANGLE PROJECTION	

DWG. No	R-TO-0104
---------	-----------



The drawing is intellectual possession of Aska Corporation.  
 Copying, duplicating, reprinting or distributing in whole or in part of the drawing data is prohibited unless prior permission obtained from Aska Corporation.

Specification & Dimension are subject to modify by Aska without notice.  
 Please contact us for updated information.

"D2"&"H2" are standard dimension and available to customize on request.

SIZE (A)		OUTLET JIS 10K-RF FLANGE								INLET JIS 10K-RF FLANGE								L	LIFT	H	H1	H2	H3	Rc	Q'TY	TAG No	
OUT	IN	d	D	C	N	h	t	f	g	d1	D1	C1	N1	h1	t1	f1	g1										D2
20	25	20	100	75	4	15	14	1	56	25	125	90	4	19	14	1	67	36	120	30	590	30	20	35	1/4		
25	40	25	125	90	4	19	14	1	67	30	140	105	4	19	16	2	81	48	140	30	590	36	25	40	1/4		
40	50	40	140	105	4	19	16	2	81	45	155	120	4	19	16	2	96	69	155	30	670	38	25	40	1/4		
50	80	50	155	120	4	19	16	2	96	55	185	150	8	19	18	2	126	71	170	37	720	55	30	45	1/4		
80	100	80	185	150	8	19	18	2	126	85	210	175	8	19	18	2	151	105	200	42	830	59	35	55	1/4		
100	125	100	210	175	8	19	18	2	151	110	250	210	8	23	20	2	182	132	240	45	910	80	35	60	1/4		
125	150	125	250	210	8	23	20	2	182	140	280	240	8	23	22	2	212	170	256	45	980	82	35	60	1/4		
150	200	150	280	240	8	23	22	2	212	160	330	290	12	23	22	2	262	204	300	55	1120	82	35	70	1/4		

No	NAME	MATERIAL	QTY	REMARKS
140	LIMIT SWITCH	1LX5001	2	
100	CYLINDER	STKM13A+SS400	1	
89	S. WASHER	SWRH57	2	
86b	HE 'X NUT	S45C	4	
86a	GLAND NUT	SUS304	2	
82	GLAND BOLT	SUS304	2	
80b	HE 'X BOLT	SS400	2	
80a	HE 'X BOLT	SCM435	4	
49	BRACKET	SS400	1	
28	INDICATOR	SS400	1	
27	STEM LOCK	SS400	1	
18	YOKE	SS400	1	or FC200
17	GLAND PLATE	SUS304	1	
16	GLAND	SUS304	1	
11	PACKING	T/#9034+PTFE620	1 <sup>s</sup>	
9	SWIVEL NUT	SUS304	1	
7	STEM	SUS304	1	
3	VALVE DISC	SUS304	1	
1	BODY	SCS13	1	
HARD FACING OF SURFACE		DISC SEAT	STELLITE #6	
		BODY SEAT	STELLITE #6	
HYDROSTATIC TEST		CYLINDER	AIR 1.0	MPa (g)
		SEAT	0.7	
		BODY	1.0	
DATE	09.05.13	SCS13		
CHIEF		JIS 10K-RF FLANGE		
CH.		CYLINDER OPERATED		
DWN.	A.K	TANK VALVE (ON-OFF TYPE)		
SCALE				
3RD ANGLE PROJECTION		DWG.No	R-T0-0105	

ASKA CORPORATION