

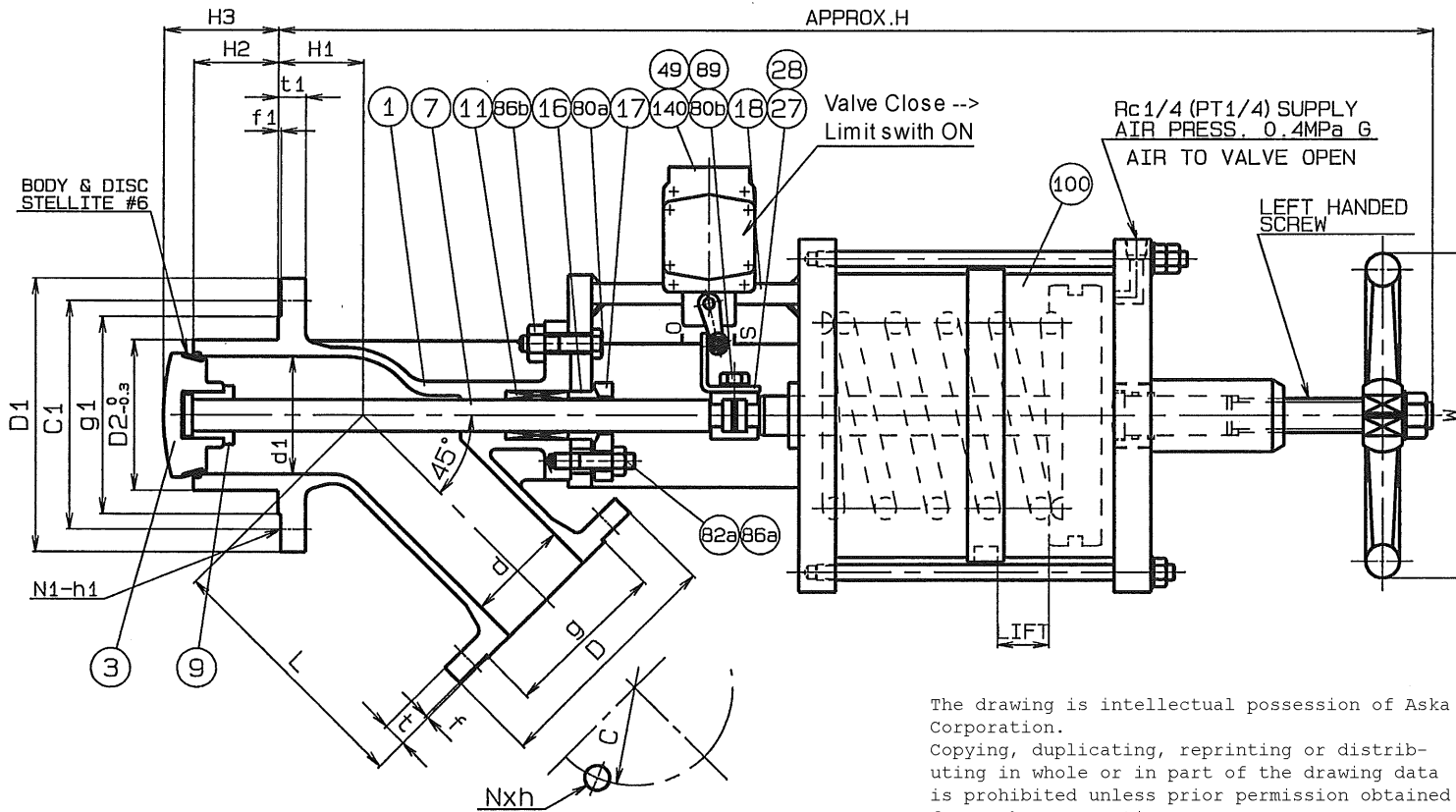
The drawing is intellectual possession of Aska Corporation.
 Copying, duplicating, reprinting or distributing in whole or in part of the drawing data is prohibited unless prior permission obtained from Aska Corporation.

Specification & Dimension are subject to modify by Aska without notice.
 Please contact us for updated information.

"D2" & "H2" are standard dimension and available to customize on request.

SIZE (A)		OUTLET JIS 10K-RF FLANGE									INLET JIS 10K-RF FLANGE									L	LIFT	H	H1	H2	H3	Rc	Q'TY	TAG No
OUT	IN	d	D	C	N	h	t	f	g	d1	D1	C1	N1	h1	t1	f1	g1	D2										
20	25	20	100	75	4	15	14	1	56	25	125	90	4	19	14	1	67	36	120	30	625	30	20	35		1/4		
25	40	25	125	90	4	19	14	1	67	30	140	105	4	19	16	2	81	48	140	30	625	36	25	40		1/4		
40	50	40	140	105	4	19	16	2	81	45	155	120	4	19	16	2	96	69	155	30	630	38	25	40		1/4		
50	80	50	155	120	4	19	16	2	96	55	185	150	8	19	18	2	126	71	170	37	725	55	30	45		1/4		
80	100	80	185	150	8	19	18	2	126	85	210	175	8	19	18	2	151	105	200	42	845	59	35	55		1/4		
100	125	100	210	175	8	19	18	2	151	110	250	210	8	23	20	2	182	132	240	45	900	80	35	60		1/4		
125	150	125	250	210	8	23	20	2	182	140	280	240	8	23	22	2	212	170	256	45	950	82	35	60		1/4		
150	200	150	280	240	8	23	22	2	212	160	330	290	12	23	22	2	262	204	300	55	1090	82	35	70		1/4		

No	NAME	MATERIAL	QTY	REMARKS
140	LIMIT SWITCH	1LX5001	2	
100	CYLINDER	STKM13A+SS400	1	
89	S. WASHER	SWRH57	2	
86b	HE'X NUT	S45C	4	
86a	GLAND NUT	SUS304	2	
82	GLAND BOLT	SUS304	2	
80b	HE'X BOLT	SS400	2	
80a	HE'X BOLT	SCM435	4	
49	BRACKET	SS400	1	
28	INDICATOR	SS400	1	
27	STEM LOCK	SS400	1	
18	YOKE	SS400	1	or FC200
17	YOKE PLATE	SUS304	1	
16	GLAND	SUS304	1	
11	PACKING	T/#9034+PTFEG20	1 ^g	
9	SWIVEL NUT	SUS304	1	
7	STEM	SUS304	1	
3	VALVE DISC	SUS304	1	
1	BODY	SCS13	1	
HARD FACING OF SURFACE		DISC SEAT	STELLITE #6	
		BODY SEAT	STELLITE #6	
HYDROSTATIC TEST		CYLINDER	AIR 1.0	MPa (g)
		SEAT	0.7	
		BODY	1.0	
DATE	09.05.13	SCS13		
CHIEF		JIS 10K-RF FLANGE		
CH.	<i>[Signature]</i>	CYLINDER OPERATED		
DWN.	A. K	FC-TYPE TANK VALVE (AIR TO OPEN)		
SCALE				
3rd ANGLE PROJECTION		DWG.No	R-TO-0103	



The drawing is intellectual possession of Aska Corporation.
 Copying, duplicating, reprinting or distributing in whole or in part of the drawing data is prohibited unless prior permission obtained from Aska Corporation.

Specification & Dimension are subject to modify by Aska without notice.
 Please contact us for updated information.

"D2" & "H2" are standard dimension and available to customize on request.

SIZE (A)	OUTLET JIS 10K-RF FLANGE									INLET JIS 10K-RF FLANGE									L	LIFT	H	H1	H2	H3	W	Rc	Q'TY	TAG No		
	OUT	IN	d	D	C	N	h	t	f	g	d1	D1	C1	N1	h1	t1	f1	g1											D2	
20	25	20	100	75	4	15	14	1	56	25	125	90	4	19	14	1	67	36	120	30	820	30	20	35	140	1/4				
25	40	25	125	90	4	19	14	1	67	30	140	105	4	19	16	2	81	48	140	30	835	36	25	40	140	1/4				
40	50	40	140	105	4	19	16	2	81	45	155	120	4	19	16	2	96	69	155	30	860	38	25	40	180	1/4				
50	80	50	155	120	4	19	16	2	96	55	185	150	8	19	18	2	126	71	170	37	900	55	30	45	180	1/4				
80	100	80	185	150	8	19	18	2	126	85	210	175	8	19	18	2	151	105	200	42	1000	59	35	55	250	1/4				
100	125	100	210	175	8	19	18	2	151	110	250	210	8	23	20	2	182	132	240	45	1050	80	35	60	250	1/4				
125	150	125	250	210	8	23	20	2	182	140	280	240	8	23	22	2	212	170	256	45	1185	82	35	60	315	1/4				
150	200	150	280	240	8	23	22	2	212	160	330	290	12	23	22	2	262	204	300	55	1250	82	35	70	315	1/4				

No	NAME	MATERIAL	QTY	REMARKS
140	LIMIT SWITCH	1LX5001	1	YAMATAKE 0284
100	CYLINDER	STKM13A+SS400	1	HARD COATED
89	S. WASHER	SWRH57	2	
86b	HE'X NUT	S45C	4	
86a	GLAND NUT	SUS304	2	
82a	GLAND BOLT	SUS304	2	
80b	HE'X BOLT	SCM435	2	
80a	HE'X BOLT	SCM435	4	
49	BRACKET	SS400	1	
28	INDICATOR	SS400	1	
27	STEM LOCK	SS400	1	
18	YOKE	SS400	1	or FC200
17	GLAND PLATE	SUS304	1	
16	GLAND	SUS304	1	
11	PACKING	T/#9034+PTFE620	1 ^s	
9	SWIVEL NUT	SUS304	1	
7	STEM	SUS304	1	
3	VALVE DISC	SUS304	1	
1	BODY	SCS13	1	

HARD FACING OF SURFACE	DISC SEAT	STELLITE #6
	BODY SEAT	STELLITE #6
HYDROSTATIC TEST	CYLINDER	AIR 1.0
	SEAT	OUTLET ATR0.1
	BODY	1.0

DATE	09.5.13	SCS13
CHIEF		JIS 10K-RF FLANGE
CH.		CYLINDER OPERATED
DWN.	A.K	FC-TYPE TANK VALVE
SCALE		(AIR TO OPEN)
3rd ANGLE PROJECTION	DWG.No	R-TO-0102